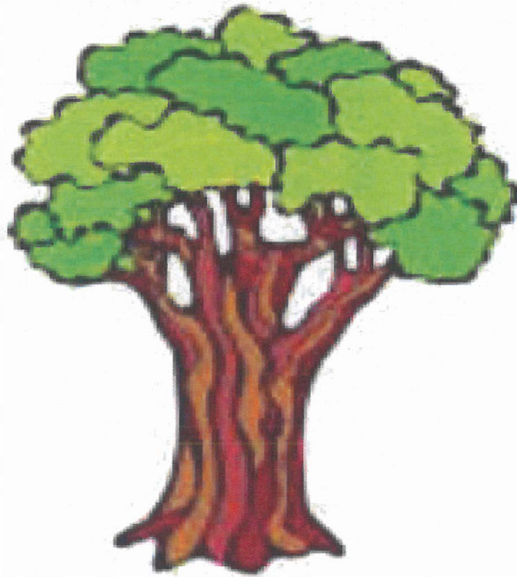


# **Northeast Missouri Electric Power Cooperative**

**Palmyra, MO 63461  
Phone (573) 769-2107**

## **TREE PLANTING GUIDELINES**

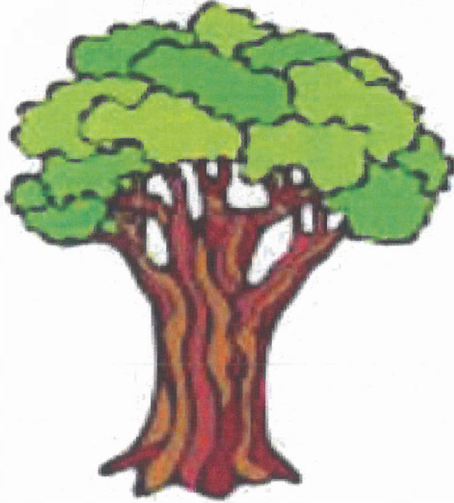


**THE RIGHT TREE,  
THE RIGHT PLACE,  
THE RIGHT TIME!**

**VEGETATION FOREMAN  
MIKE JEFFRIES**

# Northeast Missouri Electric Power Co-op

## Tree Planting Guide



Trees are very important to the value of your home, the environment and our health, but the wrong tree in the wrong place can be costly for you and for Northeast Missouri Electric Power Cooperative (Northeast Power). We will not argue that trees are very important to our lives. They filter the air, cut down on soil erosion, help cut heating and cool costs, and beautify the neighborhoods we live in. We also like to have the electric power we are accustomed to.

Reliable electric service is an integral part of our daily lives. When trees contact power lines, the flow of electricity is interrupted and the lights go out. Northeast Power strives to provide safe, affordable and reliable electric service for its member distribution cooperatives. To achieve these goals we must manage trees near power lines. Annual trimming is very cost prohibitive and dangerous. We would rather spend money on improving the services offered instead of tree maintenance. Let's work together to keep the power on and the trees beautiful.

## Survey Your Property

Look around your property to see what obstacles may interfere with a mature tree. Sewer lines, septic tanks, water lines, gas lines and electric lines may all be clear of the tree at the time of planting but what about in the future? How large will the tree you have planted get? Is this a fast or slow growing species of tree? Mature trees may also block the effectiveness of outdoor security lighting. Determining where to plant a tree is a decision that should not be taken lightly. Planning before planting can help ensure that the right tree is planted in the right place.

Proper tree selection and placement will enhance your property value and prevent costly maintenance and possible damage to your home. For further information on planting and tree species selection you can contact your local landscape nursery.

## Trees and Power Lines

Public safety and reliable electric service is our goal at Northeast Power. The transmission power lines that Northeast Power owns are high voltage 69,000 and 161,000 volts to be specific. With this kind of power, a tree does not have to touch the wire to become a hazard to you and your property. When a tree grows to close to a high-voltage power line the tree and the ground around it can become energized. This can cause fires, endanger lives and property. Northeast Power routinely inspects all of its power lines to ensure there are no immediate threats of trees being too close to an energized conductor and to schedule periodic maintenance of the system. During this maintenance, Northeast Power may prune a tree that interferes with the power line and may even have to remove a tree completely because of its condition or species.

We all know that trees grow in different shapes and sizes. Some trees may achieve a mature height of 60'-90' while others may only grow to 15' in height. With this in mind, it is very important to choose the proper trees to plant around power lines. Simply put, the right tree in the right place. Northeast Missouri Electric Power has established different zones on our right of ways to address this problem. The attached chart shows these zones and the maximum mature height a tree can have in this zone. By following these guidelines, you will maximize the use of trees on your property while minimizing the risk to the power line. The species listed are just some suggestions. There are a wide variety of tree species not listed that may be acceptable to plant on the power line right of way, but the maximum mature height must be observed. If the wrong tree species is planted we may have to remove it to prevent future interference with the flow of electric service.

If you have any questions about the wire zones, tree species listed or any other tree questions, please contact the Vegetation Department of Northeast Power. Thank you for your cooperation and understanding.

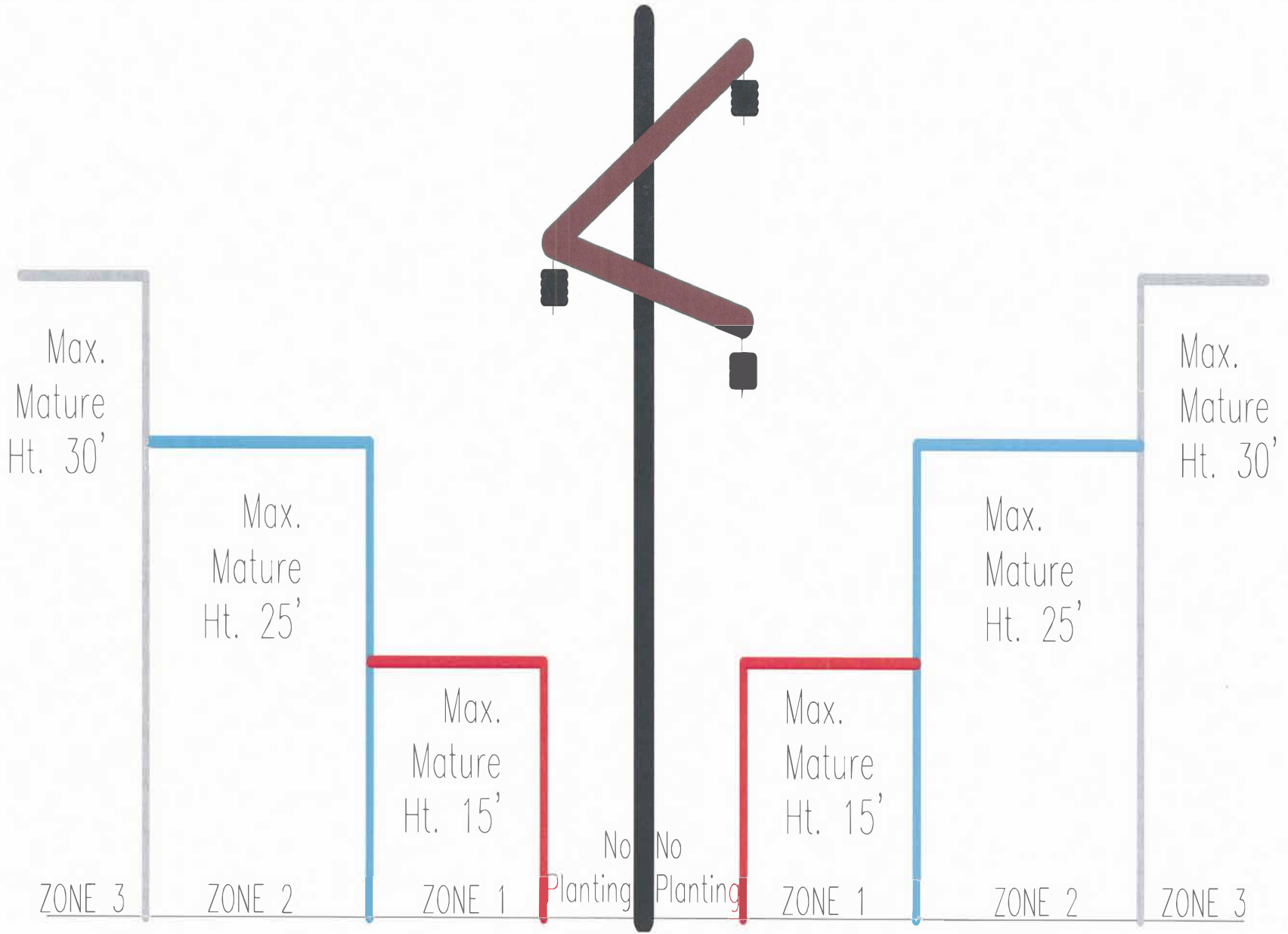
Michael S Jeffries  
Vegetation Foreman  
Northeast Missouri Electric Power Cooperative  
Palmyra, MO 63461  
Main office phone (573) 769-2107

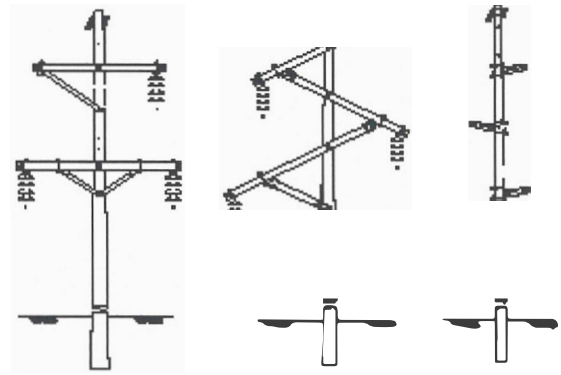
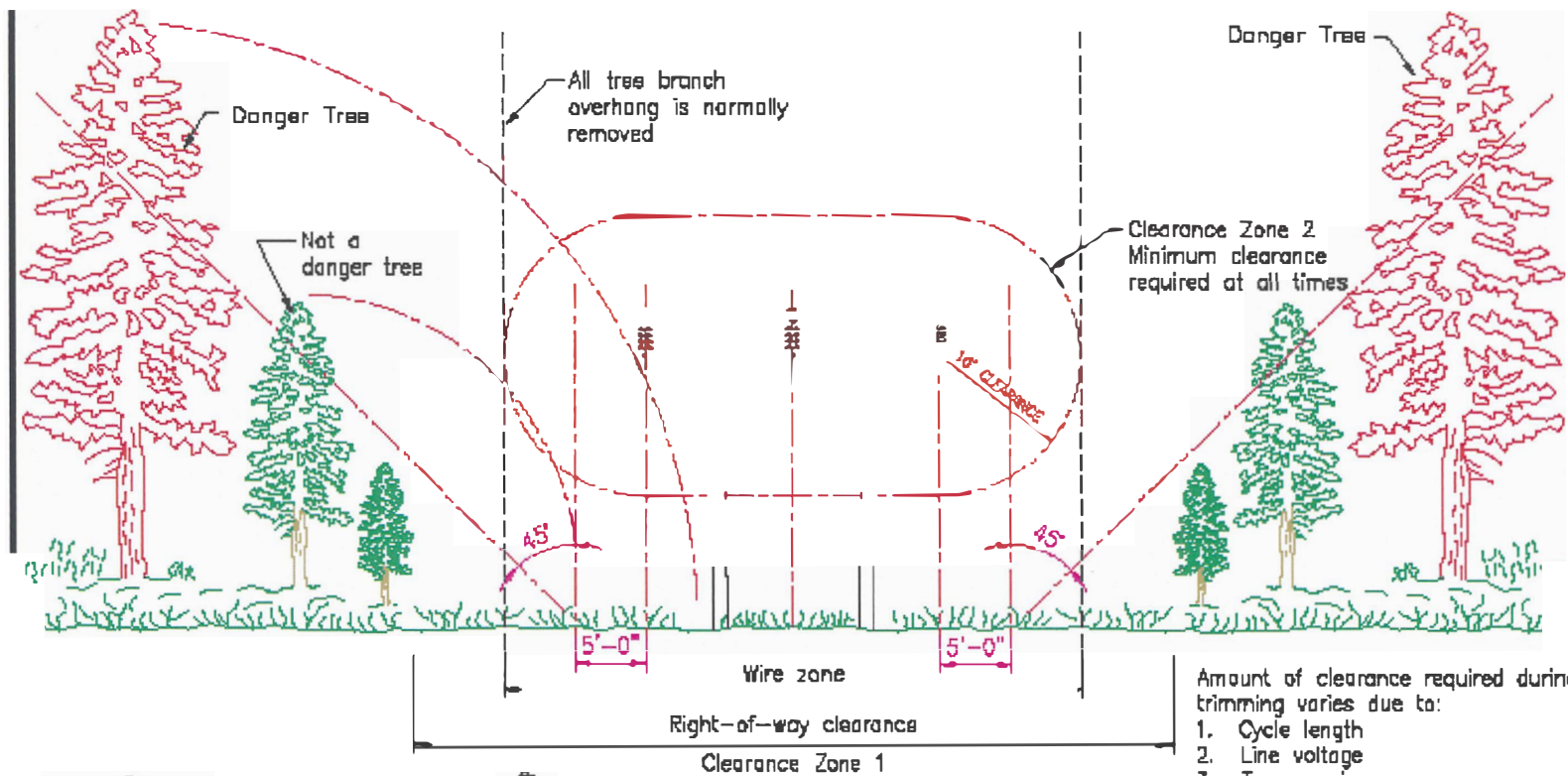
## Tree Species Planting Suggestions

Zone #1	Mature Height	Zone #2	Mature Height	Zone #3	Mature Height
Sour Cherry	8'-10'	Showy Mountain Ash	20'-25'	White Oak	60'-80'
Gray Dogwood	10'-15'	Japanese Tree Lilac	20'-25'	Oak Hybrids	40'-60'
Red Jade Crabapple	8'-12'	Amur Chokecherry	25'	Quaking Aspen	60'-80'
Red Barron Crabapple	12'-15'	Butterflies Magnolia	15'-20'	American Larch	40'-80'
Sugar Tyme Crabapple	15'	Hawthorn	15'-20'	Green Ash	50'-60'
French Hybrid Lilac	12'	Pagoda Dogwood	15'-20'	Falgold Ash	50'
Common Purple Lilac	12'-15'	Prairie Gem Pear	18'-25'	White Ash	50'-60'
Canadian Hybrid Lilac	6'-10'	Red Bud	20'-25'	Norway Maple	30'-55'
Globe Blue Spruce	3'-5'	Apple Serviceberry	20'-25'	Red Maple	50'
Dwarf Alberta Spruce	5'-7'	Amur Maackia	18'-20'	Sugar Maple	50'-75'
Dwarf Korean Lilac	6'-8'	Canada Red Cherry	20'-25'	Korean Mountain Ash	30'-45'
Royal Star Magnolia	8'-10'	All Crabapple Species	up to 25'	Scotch Pine	60'-75'
Fruitless Weeping Mulberry	10'-15'	Amur Maple	20'	White Pine	50'-75'
Korean Sun Pear	12'	Washington Hawthorn	25'	Douglas Fir	60'
Wayfaringtree Viburnum	15'	American Arborvite	20'	Serbian Spruce	50'
Siberian Peashrub	12'-15'	White Fringetree	25'	Balsam Fir	50'
Witch Hazel	15'	Ohio Buckeye	25'	Norway Spruce	50'-60'
Gray Dogwood	15'	Crepe Myrtle	20'	American Yellowwood	40'
American Hazelnut	12'	American Hornbeam	25'	Colorado Spruce	60'
Emerald Arborvitae	10'-15'			Black Hills Spruce	40'
Globe Arborvitae	3'-4'			Concolor Fir	50'
				Ornamental Pear	40'

# WIRE ZONE DIAGRAM

## Side View





OTHER TYPICAL STRUCTURES

Note: The motion of poles, conductors and trees under adverse weather conditions must be considered in maintaining clearances.



VEGETATION CLEARANCES  
TRANSMISSION LINE STRUCTURE

Drawn: Timothy Nelson      Date: March 1, 2007  
 Checked: \_\_\_\_\_      Date: \_\_\_\_\_  
 Approved: \_\_\_\_\_      Date: \_\_\_\_\_

Scale: 1:1      Dwg No. NEP-07-M01      Rev 0